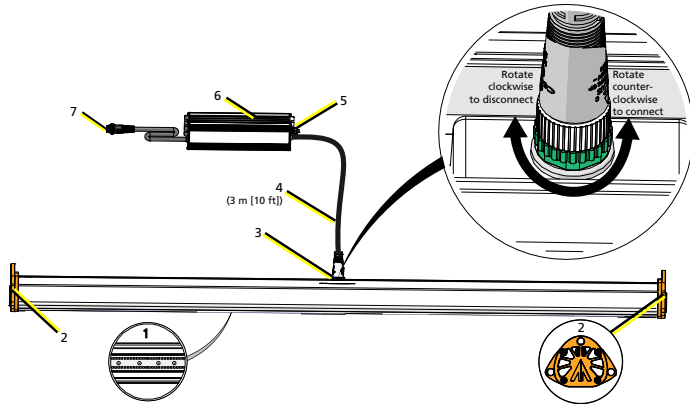


RAYN Installation Guide

Lyda Lamp Head and LED Driver

The Lyda lamp head ships complete the LED driver and the cables required for On/Off operation utilizing mains power.



ID	Description	Notes
1	LEDs	Available in Sun Spectrum (5000K) LEDs or White plus Deep Red LEDs
2	Suspension Points	Each end cap offers three suspension points. One on top for straight down installation, and two others for sideways installation. The lamp head must be supported on both ends when installed.
3	Lamp Cable Input	Attach the lamp cable from the LED Driver to the lamp head input receptacle. Rotate the locking ring counter-clockwise to connect the Lamp Cable to the lamp head. Rotate the locking ring clockwise to disconnect the Lamp Cable from the lamp head.
4	Lamp Cable	The lamp cable between the driver and the lamp head is provided (3 m [10 ft]).
5	1-10 V Dimming Input	Optional use for dimming control. Remove the protective cover for connection of a DMX Adapter or a third-party 1-10 V dimming controller.
6	LED driver	The power source for one Lyda lamp head and auxiliary power for the DMX Adapter accessory. See Electrical for details.
7	Input Power Cable Adapter	Attachment point for a regional specific power cable. Available with regional specific connector or bare ends. See the <i>Lyda System Installation and User Manual</i> for details.

RAYN Installation Guide

Lamp Head and LED Driver

Specifications



Note: Cables must be installed so that they are visible over the entire length. Concealing of the cables within walls, floors, ceilings or above suspended or dropped ceilings is not allowed. Cables must be installed so they are not subject to strain or damage.



Note: When utilizing a third-party 1-10 V controller, order a bare-end control cable (see the complete Lyda System Installation and User Manual for accessory ordering details).

Environment

Product	Ambient Temperature	Relative Humidity	Protection
Lyda lamp head	-10°C to 35°C (14°F to 95°F) storage maximum is 45°C (113°F)	20-100%, condensing, non-corrosive, sulfur residue free	suitable for damp locations
LED driver	-40°C to 55°C (-40°F to 131°F) storage maximum is 85°C (185°F)	10-100%, condensing, non-corrosive	suitable for damp locations

Clearance

- Lamp heads can be ganged together lengthwise, but do not install the Lyda lamp head against walls or ceilings. Ensure a minimum clearance of 50 mm (2 in) between the lamp head and other objects such as other lights, the ceiling, or wall surface for proper cooling.
- Suspend the lamp head in free-air to allow for proper convection cooling.

RAYN Installation Guide

Lamp Head and LED Driver

Electrical



Note: *Installation must follow all national and local codes for electrical equipment.*



WARNING: RISK OF ELECTRIC SHOCK! Circuits that are installed without an accessible power disconnect device cannot be serviced or operated safely.

AVERTISSEMENT : RISQUE DE DÉCHARGE ÉLECTRIQUE! Il est imprudent d'utiliser ou de réparer les circuits installés sans qu'un dispositif de déconnexion de l'alimentation ne soit accessible.

LED Driver

100-277 VAC, 50/60 Hz input

- The LED driver is a UL Class I apparatus. This equipment must be grounded.
- The LED driver is provided with a suitable power input cable. The power input cable is available with bare ends (US or IEC models available) or with a regional specific connector.

Lyda Lamp Head

Power is supplied directly from the provided LED driver using the specialized lamp cable provided.

Class II, SELV, 60 VDC maximum, 220 W maximum, 4.2 A maximum.



Note: *For use with the approved power source only.*

RAYN Installation Guide

Lamp Head and LED Driver

Safety

Lyda products are intended for professional use only. **Read the entire user manual before using this equipment.**

Lyda LED Driver

- UL Class 1 apparatus. This equipment must be grounded. Équipement classe 1. Cet équipement doit être liée à la terre.
- The LED driver is suitable for damp locations. Prevent direct water flow on the LED driver. Do not install any Lyda system component underneath the irrigation system.
- The LED driver is not serviceable. Do not disassemble the driver in any way.



CAUTION: *Risk of personal injury and/or product damage. Handle the LED driver carefully. Do not lift or move the driver using the input or output wires.*



CAUTION: *RISK OF SHOCK - Do not make or break connection under load.*

ATTENTION : *RISQUE DE CHOC ELECTRIQUE - Ne pas brancher ou débrancher sous charge.*



WARNING: *Do not use this fixture with a damaged power cable (cord set). If the cable is damaged, it must be replaced by a qualified technician with an equivalent type before use. Contact your local authorized dealer for spare.*

AVERTISSEMENT : *N'utilisez pas ce luminaire si le câble d'alimentation est endommagé (cordon amovible). Tout câble endommagé doit être remplacé avant utilisation par un câble de type équivalent par un technicien qualifié. Contactez votre revendeur agréé local pour une pièce de rechange.*

RAYN Installation Guide

Lamp Head and LED Driver

Lyda Lamp Head

- Do not install the lamp head against walls or ceilings. Suspend the lamp head in free-air to allow for proper convection cooling.
- The Lyda lamp head is suitable for damp locations. Prevent direct water flow on the lamp head. Do not install any Lyda system component underneath the irrigation system.



Note: *For use with the approved power source only.*

The light source in this lamp head is not user-replaceable and must be replaced only by a qualified technician. Contact your RAYN provider for assistance.



CAUTION: *Do not make or break connection under load.*

ATTENTION : *Ne pas brancher ou débrancher sous charge.*

RAYN Installation Guide

Lamp Head and LED Driver

Install the Lyda Lamp Head

The Lyda lamp head can be mounted by suspension or by a mounting bracket in a horizontal (X) or vertical (Y) orientation using the end caps as the attachment points (mounting hardware not provided).

Each end of the lamp head must be secured. Lamp heads may be linked together at the ends, end cap to end cap, and may share the same suspension chain (or suitable alternative) at that point.

The lamp head can be installed projecting downward, horizontally sideways for interlighting applications, or built-in to a shelving system with suitable clearance. See [Clearance on page 2](#).



Note: *The installation hardware and installation location must support four times the weight of the Lyda lamp head, lamp cable, and any installed accessories. The lamp head must be installed within 3 m (10 ft) of the LED driver.*

1. Each end cap is provided with three mounting holes (10 mm [3/8 in] Ø) for directional suspension. Attach mounting hardware (not provided) to the suspension points (each end cap must be supported). You can interlock (link) end caps together, sharing a suspension point between two linked end caps, creating linear arrays of the lamp heads.
 2. If the LED driver has been previously installed, connect the lamp cable from the driver to the Lyda lamp head. The connection is secured by rotating the locking ring counterclockwise until finger tight.
-



CAUTION: *Do not make or break connection under load.*
ATTENTION : *Ne pas brancher ou débrancher sous charge.*

RAYN Installation Guide

Lamp Head and LED Driver

Install the LED Driver



WARNING: Risk of electric shock! This device utilizes high voltage and should only be installed by a qualified installer or electrician. Follow all local codes for installation. Before terminating the AC power wiring verify that the main breaker is in the off position and follow the proper lockout/tag out procedures per NFPA Standard 70E or applicable local regulations.

AVERTISSEMENT : Risque de décharge électrique! Cette appareil utilise une haute tension et ne doit être installé que par un installateur qualifié ou un électricien. Suivez tous les codes locaux pour l'installation. Avant de raccorder le câblage du courant alternatif, vérifiez que le disjoncteur principal est en position d'arrêt et suivez les procédures de Consignation/Déconsignation prescrites par la norme NFPA 70E ou aux réglementations locales applicables.



CAUTION: Risk of personal injury and/or product damage. Handle the LED driver carefully. Do not lift, suspend, or move the driver using the input or output wires.

1. Using M4 (#8) hardware, secure the LED driver to a suitable structure using the built-in mounting flange. The installation location must be within 3 m (10 ft) of the desired Lyda lamp head installation location.
2. Connect the lamp cable from the LED driver to the installed Lyda lamp head. The connection is secured by rotating the locking ring counterclockwise until finger tight.
3. If dimming control is required, connect the optional controller. See the *Lyda System Installation and User Manual* for details.
4. Connect the LED driver to the power source. If using a connectorized power input cable, simply plug the unit into the distributed power input receptacle. If using a bare end power input cable, terminate the wiring according to the cable type and local codes.

Model	Type	Color
Power Cable, US Color Code	ground/earth	green
	line	black
	neutral	white
Power Cable, IEC Color Code	protective earth	green/yellow
	line	brown
	neutral	blue

Reference

See rayngrowingsystems.com/products/lyda-system/ for the complete *Lyda Lamp Head and LED Driver Lamp Head and LED Driver Installation and User Manual* including power up and operation instructions.

RAYN Installation Guide

Lamp Head and LED Driver
