

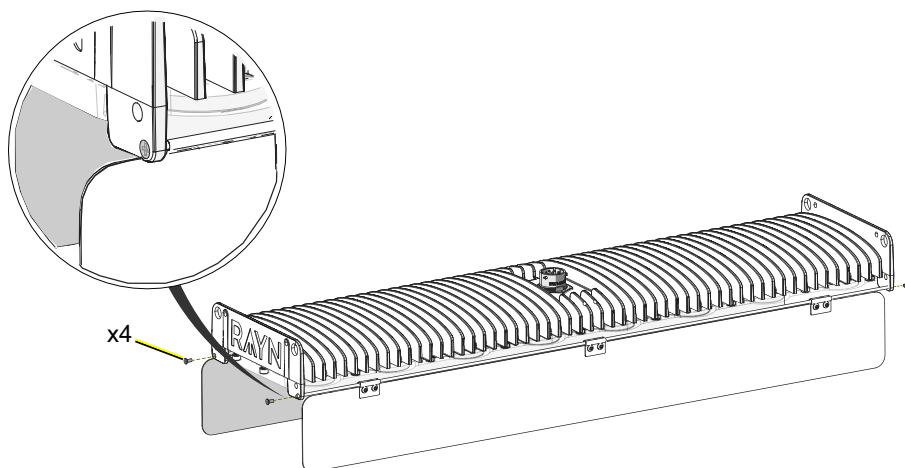
RAYN Installation Guide

Alina Lamp Head Baffle Kit

Installation

The baffle kit includes two panels and the attachment hardware (4 each M2.5x10 mm countersink screws provided). Each panel is provided with a painted and a reflective side and can be installed according to your installation requirements.

1. Align the panel to the lamp head and insert the rod ends of the baffle into the accessory attachment points.



2. Secure the panels in place with the M2.5x10 mm screws provided using two screws, one at each end.